

TEMPERATURE TESTING BARRIER
CODE: **AM-SODIBA-4835-103H**
QUOTE#200330-64

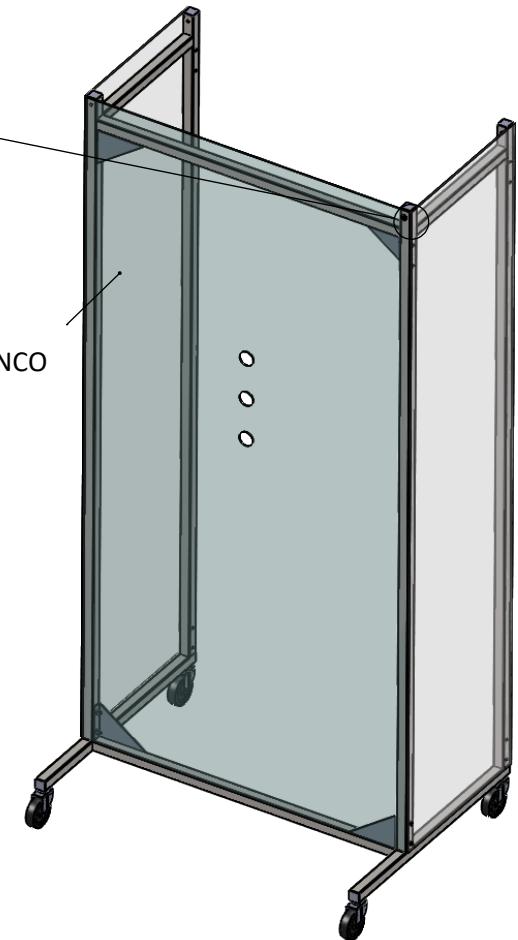
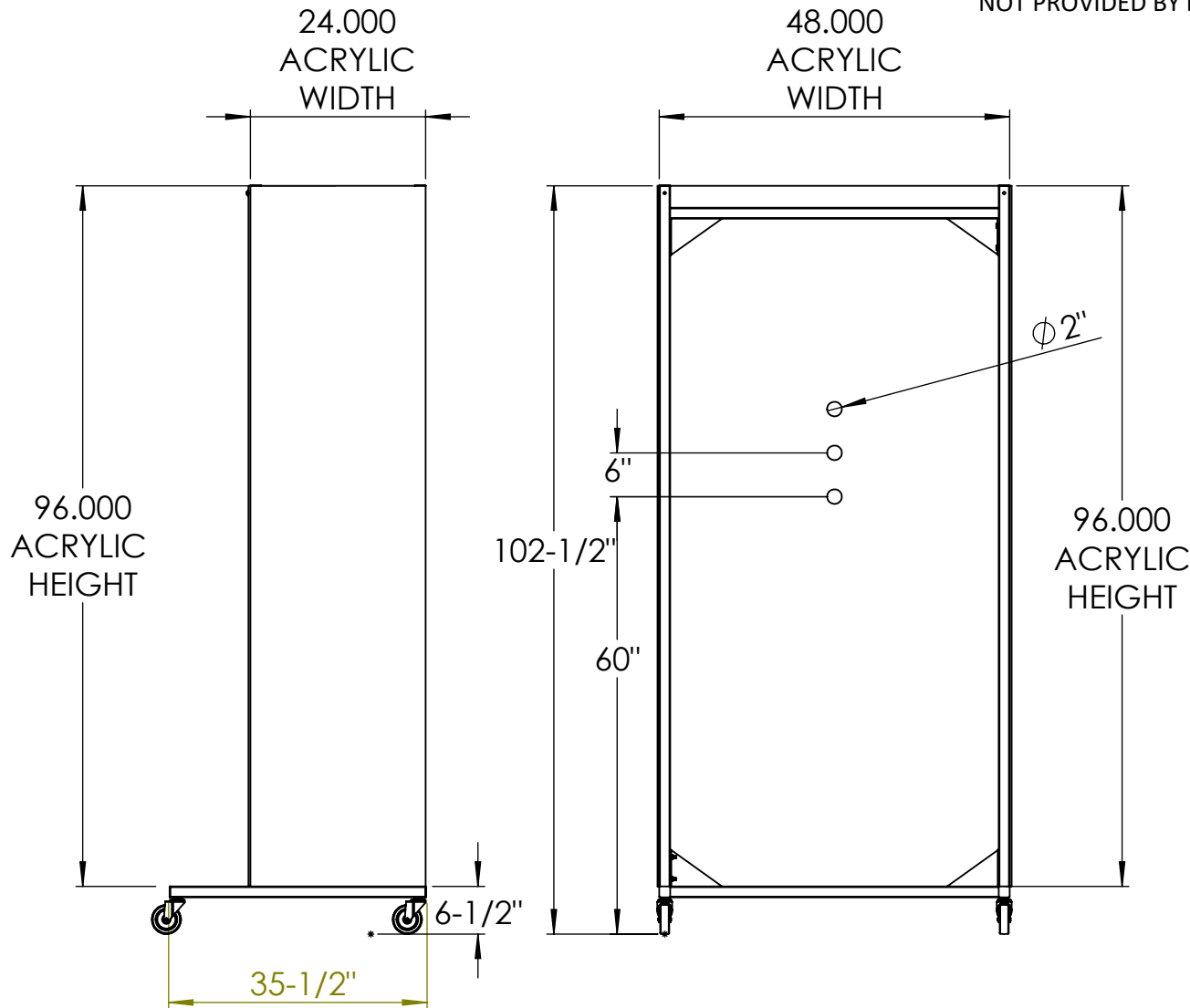
STEEL WASHER

SHEETMETAL
TAPPING SCREW

DETAIL C
SCALE 1 : 8

1/4" ACRYLIC
NOT PROVIDED BY DEHNCO

(4) x SWIVEL CASTER,
NO BRAKE

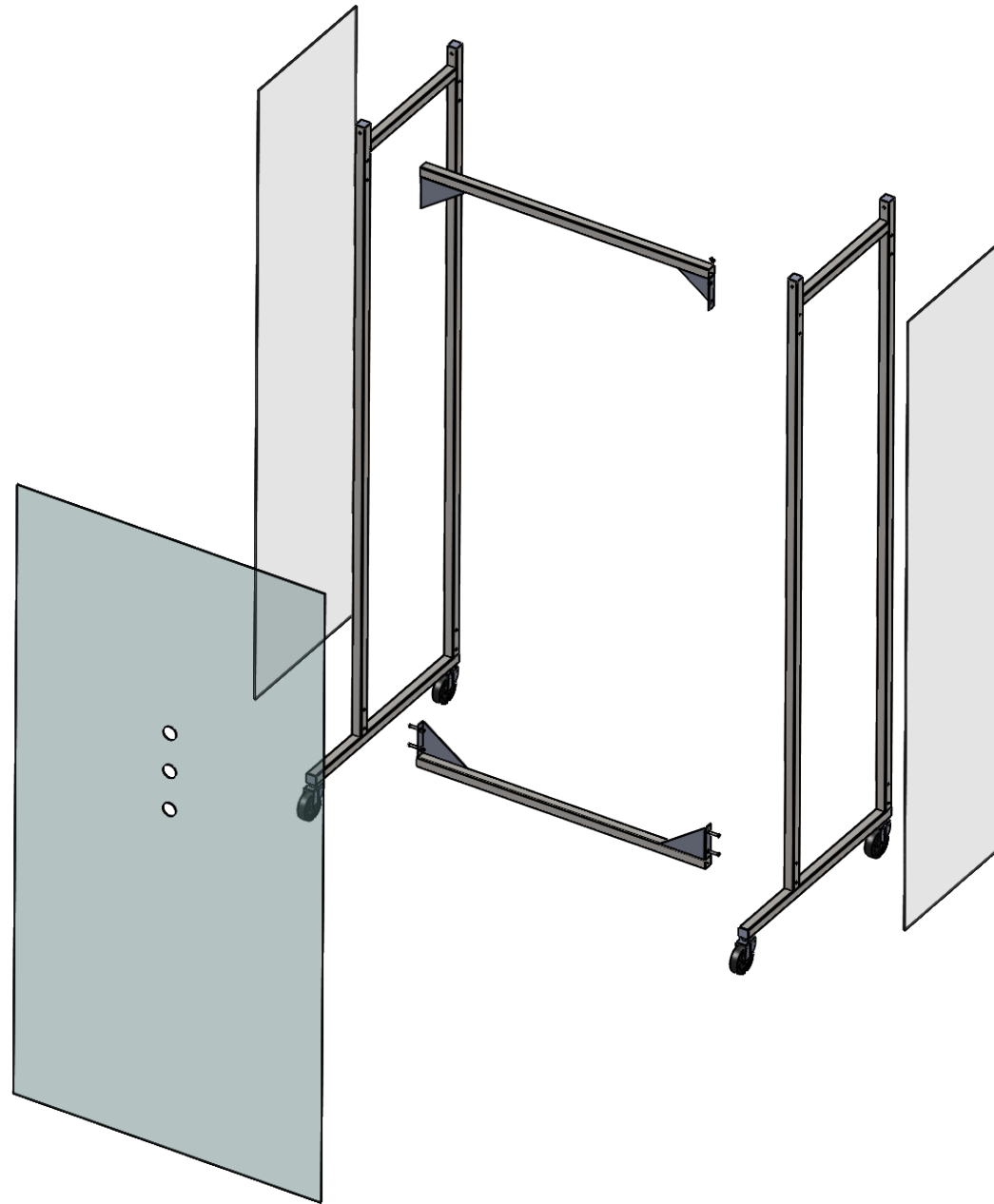


THIS DOCUMENT AND THE INFORMATION THEREON ARE THE PROPERTY OF CALSTONE, INC. AND MAY ONLY BE USED FOR THE PURPOSE OF WHICH IT IS SUPPLIED. REPRODUCTION OF THE DRAWING OR USE OF THE INFORMATION HEREIN IN WHOLE OR IN PART IS STRICTLY PROHIBITED WITHOUT THE EXPRESS WRITTEN PERMISSION OF DEHNCO/CALSTONE.

DEHNCO
WORK BETTER

EQUIPMENT & SUPPLIES, INC
300 S. Lageshulte, P.O. BOX 866, Barrington, IL 60010
Phone: (847)382-1579, Fax: (847) 382-1615, WWW.dehnco.com

EXPLODED VIEW TO SUPPORT KNOCKED DOWN SHIPPING



5

↑

4

3

2

1

DEHNCO
WORK BETTER

EQUIPMENT & SUPPLIES, INC
300 S. Lageshulte, P.O. BOX 866, Barrington, IL 60010
Phone: (847)382-1579, Fax: (847) 382-1615, WWW.dehnco.com

THIS DOCUMENT AND THE INFORMATION THEREON ARE THE PROPERTY OF CALSTONE, INC. AND MAY ONLY BE USED FOR THE PURPOSE OF WHICH IT IS SUPPLIED. REPRODUCTION OF THE DRAWING OR USE OF THE INFORMATION HEREIN IN WHOLE OR IN PART IS STRICTLY PROHIBITED WITHOUT THE EXPRESS WRITTEN PERMISSION OF DEHNCO/CALSTONE.